

Instructions

Throw-in level pressure sensor

PT220/PT220E/PT220FE



| Summary

PT220 series is specially designed for diving liquid level measurement. The sensitive element adopts diffused silicon core. The sensor has a built-in digital circuit board with strong anti-radio frequency and electromagnetic interference. It has strong anti interference ability and wide temperature compensation range, the standard body of the sensor is made of 304 stainless steel, adopts a complete assembly process, and has a protection level of IP68 to ensure that it is durable and has a long service life in high-demand industrial situations.

| Feature

- Moisture-proof, anti-condensation, anti-leakage, protection degree IP68
- Excellent impact resistance, overload resistance, vibration resistance and corrosion resistance
- Strong anti-radio frequency and electromagnetic interference protection
- High precision, high frequency response, good long-term stability
- Configurable on-site display, convenient on-site reading


| Application

- Urban water supply, groundwater level monitoring
- Water conservancy and hydropower monitoring and control
- Petrochemical industry
- Strongly corrosive liquid level monitoring

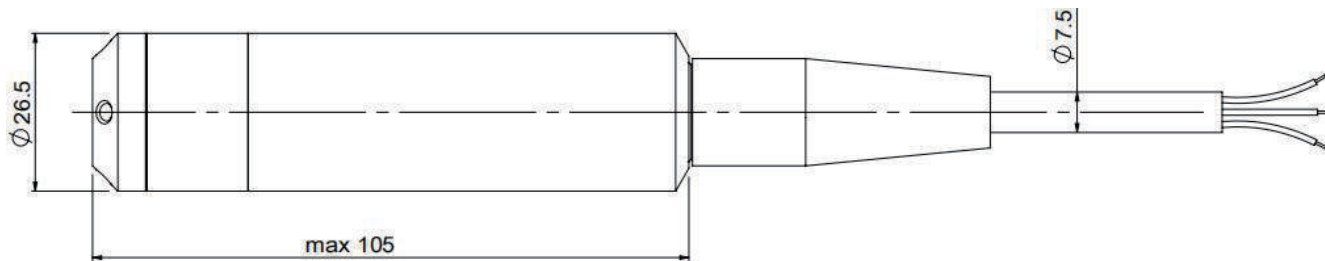
Specification

Pressure range	0~1mH ₂ O; 0~200mH ₂ O		
Pressure type	Gauge pressure		
Accuracy	0.5% F.S; 0.25% F.S; 0.1% F.S		
Electrical Performance	2-wire	3-wire 0~10V	3-wire
Output signal	4~20 mA	0~10V	0~5V
Power supply	12~30Vdc	15~30Vdc	12~32Vdc
Overload resistance	50MΩ 100Vdc		
Process connection	Throw-in type,"X" thread or flange connection		
Overload pressure	3 times rated pressure		
Broken pressure	5 times rated pressure		
Diaphragm Temp	-25~85 °C		
Protection degree	IP65		
Long term stability	0.2% FS / year		

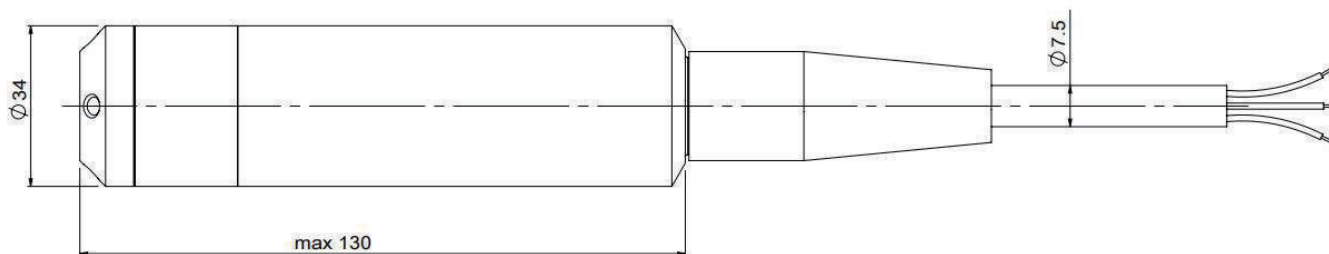
E-connection

Leding wire, Shielded			
		Current	Voltage
	U+	red	red
	0V		black
	S+	black	green

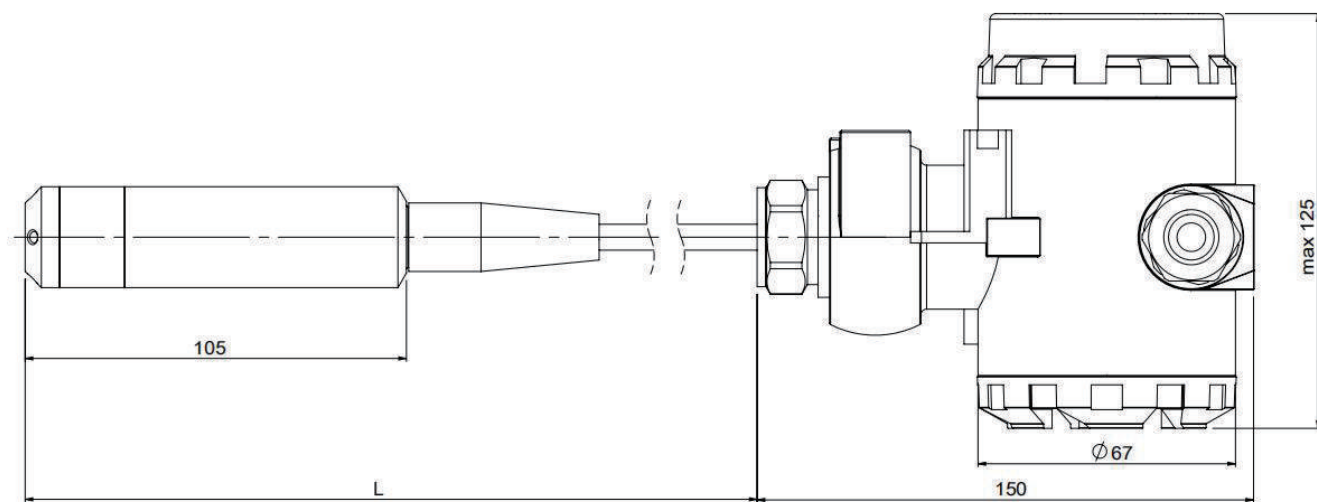
Dimension



PT220



PT220E



PT220FE

Ordering guide

Series code		X	-	X	-	X	-	X	-	X	-	X	-	X	-	X
Product type	Standard throw-in type	PT220														
	Standard throw-in type	PT220E														
	Explosion proof type	PT220FE														
Pressure unit	mH ₂ O			M												
	kPa			K												
Pressure range	Pressure range value x					X										
Process connection	Throw-in type						-									
	"X"thread or Flange						X									
Output	4~20mA							MA								
	0~10VDC							10V								
	0~5VDC							5V								
Cable length	X meter										MX					
Material	SUS304 (Standard)													-		
	PTFE													4F		
	SUS316L													3L		
Accuracy	0.5%F.S (standard)															-
	0.25%F.S															2A