

Explosion Proof Pressure Transmitter

Model: PT124B-281 (Corrosive resistance)



Description

PT124B-281 intelligent pressure transmitter adopted piezoresistive pressure sensor, the output is 4-20mA, and stainless steel sealed construction with LCD display, polarity reversal protection

Application

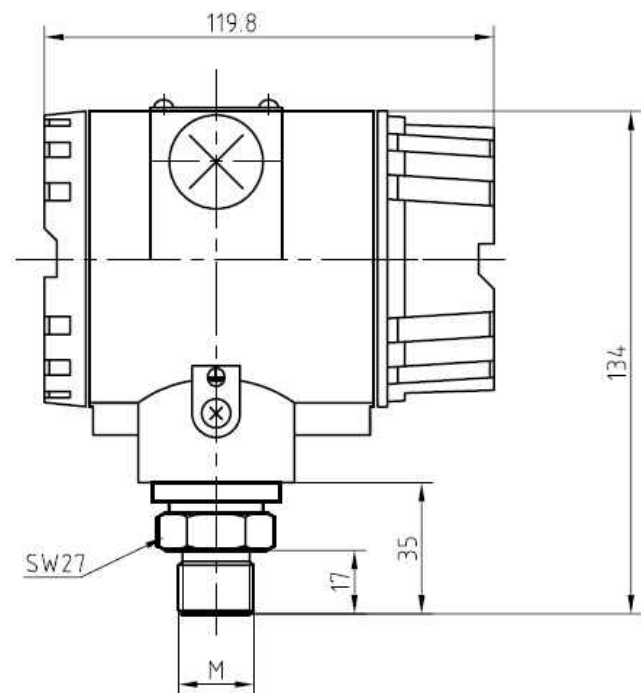
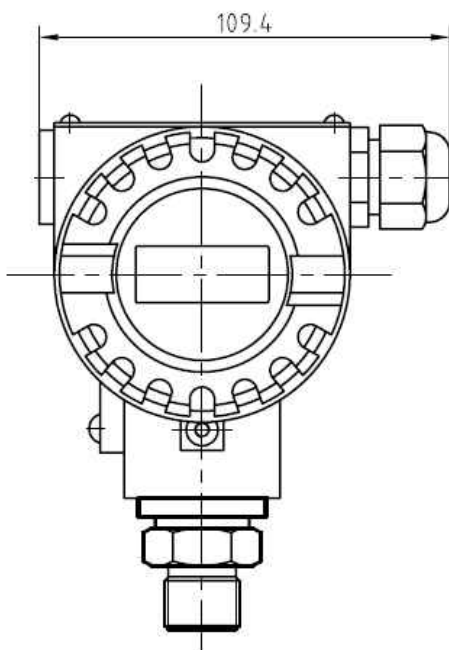
- ◆ Hydraulic pressure
- ◆ Building automation
- ◆ Ship
- ◆ Petroleum and chemical

Feature

- ◆ Stainless steel sealed construction
- ◆ Intrinsically safe
- ◆ Protection class:IP65
- ◆ Corrosion-resistance, with LCD display
- ◆ Wide temperature compensation
- ◆ High accuracy



Dimension



Remarks: Above dimension only for reference, we can tailor the product as you required.

Specification

Range	0....50mbar to 0....2000bar
Accuracy	0.5%FS
Linear	0.02%FS
Over pressure	150%FS
Out put	4-20mA;
Input voltage	24(12-36V)DC
Operating temperature	-40℃~125℃
Temperature compensation	-10℃~70℃
Explosion class	ExibII CT4
Electric connector	Terminal Block
Process connector	G1/2, M12, M20x1.5 (optional)

Wiring Code

Remove the LCD display part, and then you will see there are terminals inside as below, please connect cables according to the wiring code.



Wiring Code

- Terminal OUT+ Power Red
- Terminal OUT- Signal Black
- Terminal TEST +
- Terminal TEST -

Remarks: The TEST just for current testing purpose if necessary.

Order Guide

Model	Range(bar)	Output	Process connection	Electric connection	Other requirement
PT124B-281	---	---	---	---	---
Example:PT124B-281-100bar-4/20Ma-G1/2-Direct shield cable					

Shanghai Zhaohui Pressure Apparatus Co.,Ltd

5-6F No.8 Building No.115 ,Lane 1276 Nanle Road
 Songjiang District Shanghai 201600 China
 Tel:+86-21-51691919 67755189 Fax:+86-21-67755185
 E-mail: info@zhyqsensor.com
 www.zhyqsensor.com

