



## FOCUS ON SENSING & CONTROL FOR 20 YEARS

Provided Quality Automatic Instruments for Thousands of Customers

### CONTACT US

Add: 5~6F, Building 8#, NO. 115,  
Lane 1276, Nanle Road,  
Songjiang District,  
Shanghai, China

Tel: +86 (0)21 67755188  
Fax: +86 (0)21 67755185

Mail: [info@zhyqsensor.com](mailto:info@zhyqsensor.com)  
Web: [www.zhyqsensor.com](http://www.zhyqsensor.com)



## PRODUCT BROCHURE

PROFESSIONAL MANUFACTURER  
FOR MEASUREMENT AND CONTROL

**SINCE 1999**

Shanghai Zhaohui Pressure Apparatus Co., Ltd.



# Why choose ZHYQ ?

# Welcome

Shanghai Zhaohui Pressure Apparatus Co., Ltd. (ZHYQ) is the leading professional manufacturer in the industrial of pressure, flow, temperature, liquid level and Internet of Things (IoT).

Established in 1999, developed a series of large scale and professional measurement products.

In recent years, ZHYQ actively expands the capacity and enhances to develop new products to meet the requirement of the market, found R&D center covers 1500m<sup>2</sup> and production base covers 15000m<sup>2</sup>, annual yield more than 200,000 pieces , the products are widely used in the field of industrial process control, energy & electricity, hydrology, construction machinery, medical experiment, military equipment and etc, our market spread all over the world with more than 50 countries and areas.



Expert technical advice from our highly experienced and trained staff



15,000m<sup>2</sup> plant, annual output 200,000 pieces transmitters



Nearly 60 national invention patents and utility model patents



ISO 9001: 2015 accredited quality systems



CMC, Ex, MA, CE, RoHS, ATEX, SIL certification



High-tech enterprises, Shanghai "specialized special new" enterprises



The first in the industry to obtain a high-range 500MPa metering license



Efficient and complete production line of monocrystalline silicon sensor



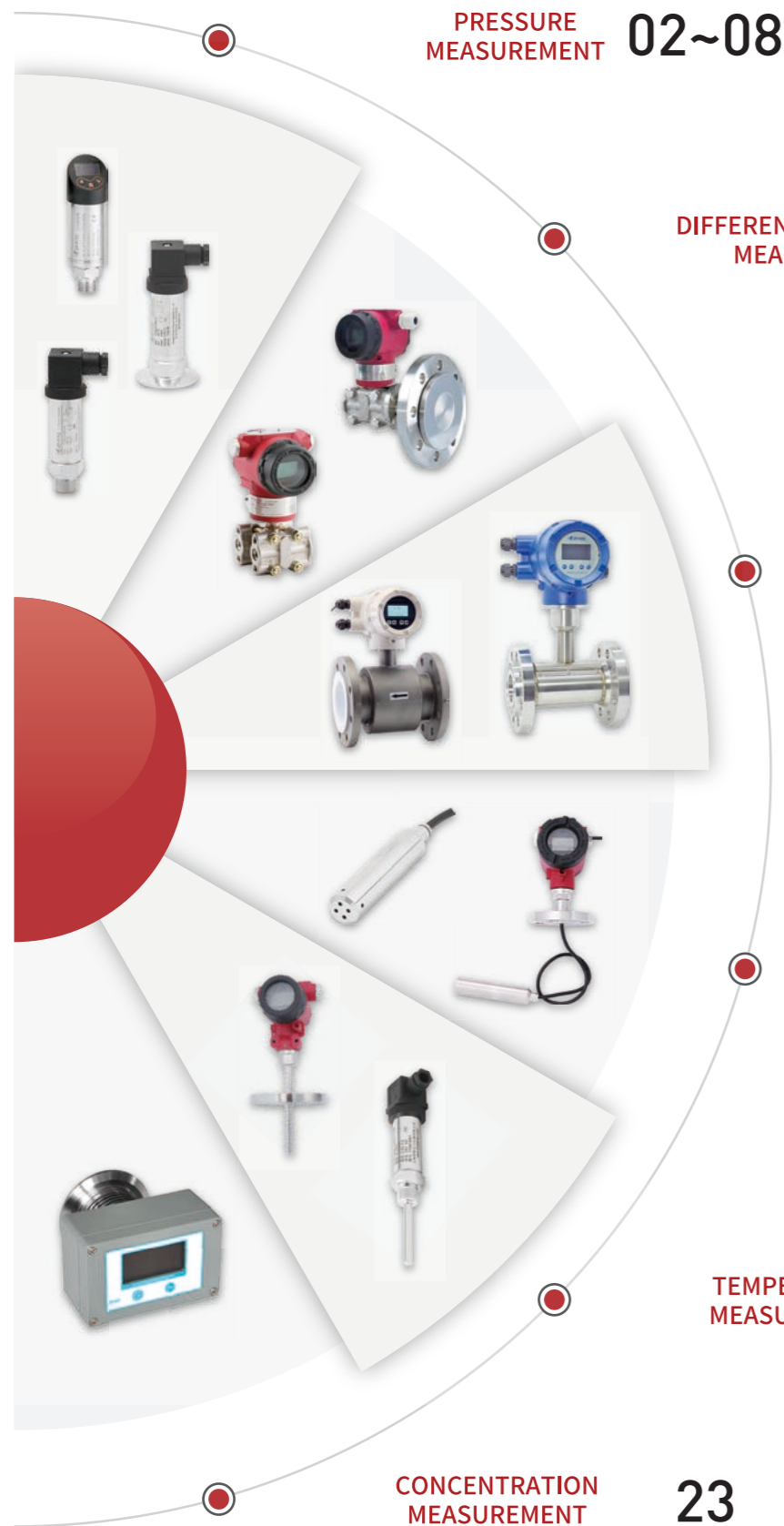
R&D Center



Production Base



# CONTENTS



PRESSURE MEASUREMENT 02~08

DIFFERENTIAL PRESSURE MEASUREMENT 09~13

FLOW MEASUREMENT 14~16

LEVEL MEASUREMENT 17~20

TEMPERATURE MEASUREMENT 21~22

CONCENTRATION MEASUREMENT 23

## PT124B-21X Series General Purpose Pressure Transmitters



Standard type



High pressure type



Flush diaphragm type



High temperature type

### Features

- Wide pressure range -1...0...6000bar
- Various output optional
- Various electric connector optional
- Simple shape design, cost-effective
- Can increase the zero & span adjustment as required
- Various process connection optional

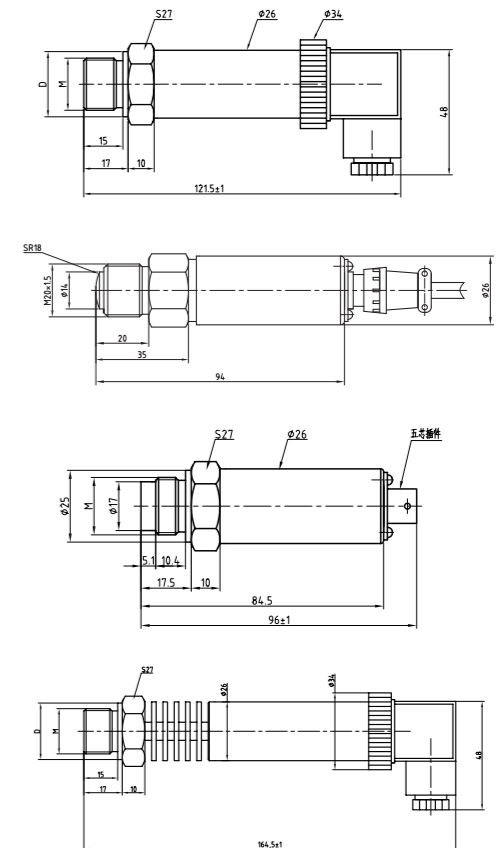
### Specifications

Sensor chip	Diffused Silicon , Strain Gauge , Microfused , Sapphire
Pressure range	-1...0...1...6000bar
Output signal	4-20mA , 0-5V, 0-10V, RS485 , HART optional
Accuracy	0.25%FS, 0.5%FS, 1.0%FS
Overload	150%FS
Operating temperature	-20~150°C (customized)
Power supply	24(12~36)VDC
Process connection	M20x1.5, G1/4, G1/2, G1, 1/4NPT (customized)
Electric connector	Hirschman (DIN) , M12x1, 4pin, 5pin connector, gland cable and optional
Long-term stability	≤ ± 0.1 % FS / year
Response time	< 5 ms
Wetted parts material	SS304 , SS316L (customized)
Protection grade	IP65, IP67
Temperature compensation	-20 ~ 80 °C
Certificate	CE, ROHS, ATEX, SIL, CMC, EX

### Applications

- Mechanical engineering
- Servo systems, hydraulic steam
- High pressure water jet, air pressure measurement
- Cement, mud, asphalt
- General industrial control field

### Dimension



## PT124B-21X Series General Purpose Pressure Transmitters



High accuracy type



Local display type



Pressure switch type



Sanitary type

### Features

- Wide pressure range -1~0~700bar
- Various output optional
- High accuracy , high steadily & Polarity protection
- Simple shape design, cost-effective
- Can increase the zero & span adjustment as required
- Various process connection optional

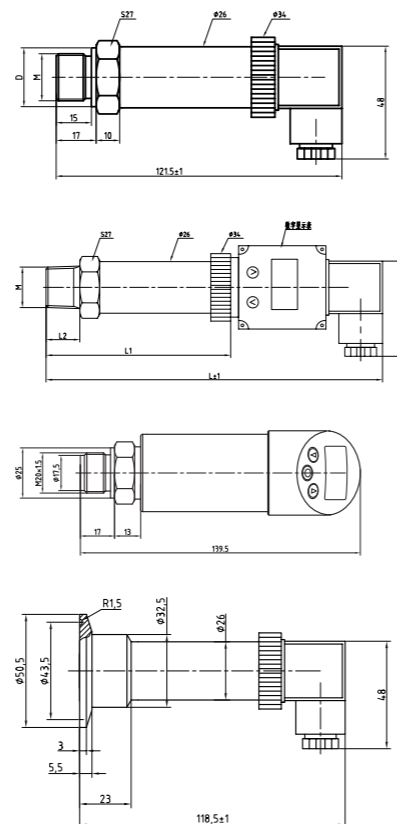
### Specifications

Sensor chip	Diffused Silicon , monocrystalline silicon
Pressure range	-1~0~700bar
Output signal	4-20mA , 0-5V, 0-10V, RS485 , HART optional
Accuracy	0.1%FS, 0.25%FS , 0.5%FS
Overload	150%FS
Operating temperature	-20~150°C (customized)
Power supply	24(12~36)VDC
Process connection	M20x1.5, G1/4, G1/2, G1, 1/4NPT, 1.5" Clamp
Electric connector	Hirschman (DIN) , M12x1, 5 pins, gland cable , optional
Long-term stability	≤ ± 0.1% FS / year
Response time	< 5 ms
Wetted parts material	SS304 , SS316L (customized)
Protection grade	IP65, IP67
Temperature compensation	-20 ~ 80 °C
Certificate	CE, ROHS, ATEX, SIL , CMC, EX

### Applications

- Mechanical engineering
- Automatic control and detection system, building automation
- Constant pressure water supply
- Medicine machine, food, beverage, brewing industry
- Petrochemical, environmental protection, industrial process

### Dimension



### Ordering Guide

Model	Transmitter type	
PT124B-210	Standard type	PT124B-215 Explosion proof type
PT124B-211	High pressure type	PT124B-216 Local display & switch type
PT124B-212	High accuracy type	PT124B-217 Sanitary type
PT124B-213	Compact type	PT124B-218 Moderate and high temperature type
PT124B-214	Flush diaphragm type	PT124B-219 Marine / shipping type
Code	Range	
X~Y	-100~0~100kpa, 0~600MPa	
Code	Process connection	
G1	M20 x 1.5 male	G5 1/4" NPT male
G2	G1/2" male	G6 G3/8" male
G3	G1/4" male	G0 Other on request
G4	1/2" NPT male	
Code	Wetted parts material	
C1	SS304	
C2	SS316L	
C3	2205	
C0	Other on request	
Code	Output signal	
S1	4~20 mA (2-wire)	S5 0~10 V DC (3-wire)
S2	4~20 mA + HART (2-wire)	S6 1~5 V DC (3-wire)
S3	RS485 / Modbus (4-wire)	S0 Other on request
S4	0.5~4.5 V DC (3-wire)	
Code	Accuracy	
J3	± 0.25 % FS	
J4	± 0.5 % FS	
J5	± 1 % FS	
Code	Electrical connection	
D1	Hirschman (DIN 43650)	
D2	Gland cable	
D3	5 pins	
D4	M12x1	
D0	Other on request	
Example	PT124B-210-(0~5bar)G1C1S1J3D1	

## PT124B-28X Series General Purpose Pressure Transmitters



Standard type



High temperature type



Flange type



Sanitary type

### Specifications

Sensor chip	Diffused Silicon , monocrystalline silicon
Pressure range	-1~0~700bar
Output signal	4-20mA,RS485 ,HART optional
Accuracy	0.25%FS, 0.5%FS, 1%FS
Overload	150%FS
Operating temperature	-20~150°C (customized)
Power supply	24(12~36)VDC
Process connection	M20x1.5, G1/4, G1/2, G1, 1/4NPT, 1.5" Clamp
Electric connector	M12x1, Gland cable, Terminal
Long-term stability	≤ ± 0.1% FS / year
Response time	< 5 ms
Wetted parts material	SS304 ,SS316L ,2205 , TA2 (customized)
Protection grade	IP65, IP67
Explosion proof grade	Exib II CT4 Gb , Exib II CT6 Gb
Certificate	CE, ROHS, ATEX, SIL , CMC, EX

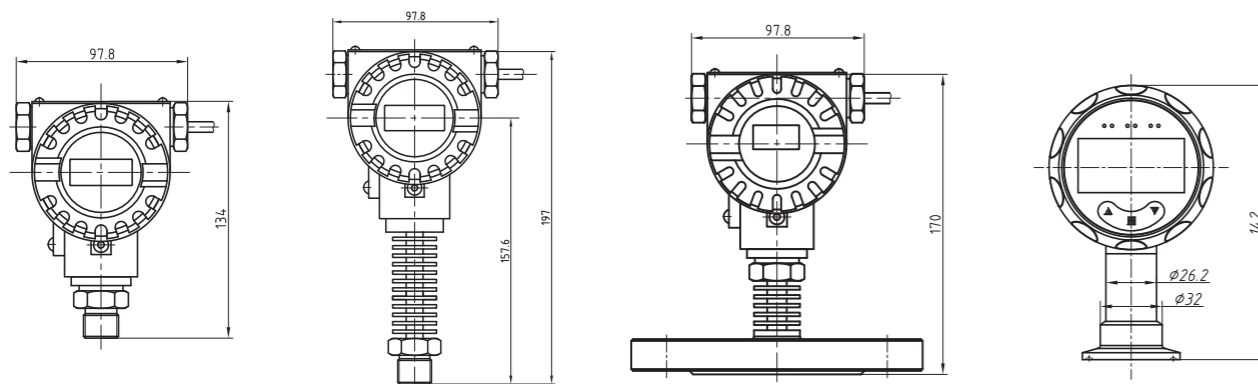
### Features

- Thermal power unit, light industry, machinery, metallurgy
- Building self-control, constant pressure water supply
- Petrochemical, environmental protection, air compression
- Automatic control and detection system
- Power station operation inspection
- Industrial process detection and control

### Applications

- Wide pressure range -1~0~700bar
- Various output optional
- High accuracy , high steadily & Polarity protection
- Aluminum alloy or stainless steel housing material
- Can increase the zero & span adjustment as required
- Various process connection optional
- LED indicator can be rotated 360°

### Dimension



### Ordering Guide

Model	Transmitter type		
PT124B-280	Standard type (without display)	PT124B-284	Clamping type
PT124B-281	Anticorrosion type	PT124B-285	Moderate and high temperature type
PT124B-282	Standard type (with display)	PT124B-286	Flange type
PT124B-283	Flush diaphragm type	PT124B-287	Sanitary type
Code	Range		
X~Y	-1~0~700 bar		
Code	Process connection		
G1	M20 x 1.5 male	G6	G3/8" male
G2	G1/2" male	G7	1.5" clamp
G3	G1/4" male	G8	DN50 standard flange
G4	1/2" NPT male	G9	DN80 standard flange
G5	1/4" NPT male	G0	Other on request
Code	Wetted parts material		
C1	SS304	C4	Hastelloy C
C2	SS316L	C0	Other on request
C3	PTFE		
Code	Output signal		
S1	4~20 mA (2-wire)	S5	0~10 V DC (3-wire)
S2	4~20 mA + HART (2-wire)	S6	1~5 V DC (3-wire)
S3	RS485 / Modbus (4-wire)	S0	Other on request
S4	0.5~4.5 V DC (3-wire)		
Code	Accuracy		
J3	± 0.25 % FS	J5	± 1 % FS
J4	± 0.5 % FS		
Code	Display		
X1	Without display	X4	Percentage display
X2	LCD display	X0	Other on request
X3	LED display		
Code	Electrical connection		
D2	Gland cable	D5	Terminal
D3	M20x1.5	D0	Other on request
D4	M12x1		
Code	Protection grade		
F1	IP65	F2	IP67
Code	Explosion proof grade		
T4	Exib II CT4 Gb	T6	Exib II CT6 Gb
Example	PT124B-282-(0~5bar)G1C2S2J2X2D5F2T6		

## PT124B-289 Wireless Pressure Transmitter



### Features

- Low power design, battery powered, long battery life
- Battery power or 24VDC power supply Optional
- Various wireless transmission type optional
- Various pressure unit switching
- Mating with gateway ,efficient pressure monitoring in the LAN

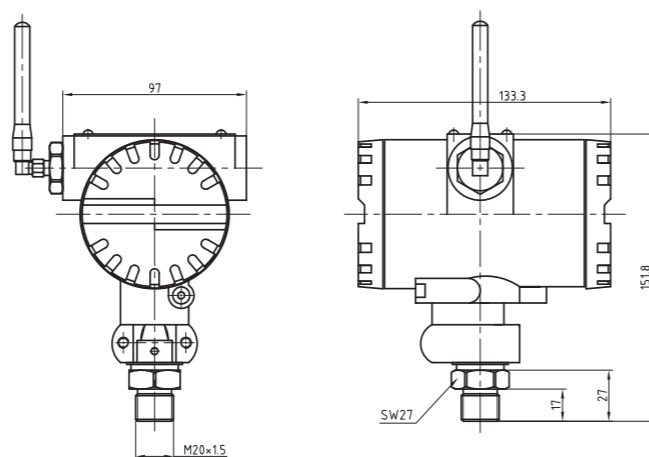
### Applications

- Corrosive, impact, shock and other places pressure display
- Laboratories and industrial sites
- Coal mine wells, water pipe pressure , fire pipe network
- Oil, coal, tap water, automation control

### Specifications

Pressure range	-1~0~700bar
Output signal	GPRS, LoRa, NB-IoT, ZigBee, WiFi
Accuracy	0.25%FS , 0.5%FS
Overload	150%FS
Operating temperature	-20~120°C
Power supply	3.6V Li battery or 24V or 12V DC optional
Process connection	M20x1.5, G1/2, 1/4NPT (Customized)
Electrical protection	Anti-electromagnetic interference
Display and backlight	LCD display and white backlight
Sampling rate	1~600s/time Settable
Data configuration	Button setting or remote setting
Upload rate	1-1440 minute settable
Explosion proof grade	Exib II CT4 Gb , Exib II CT6 Gb
Response frequency	3.2KHz (-3dB)
Long-term stability	≤ ± 0.2 % FS / year
Certificate	CE, ROHS, ATEX, SIL, CMC, EX
Temperature compensation	-20 ~ 80 °C

### Dimension



### Ordering Guide

Model	Transmitter type				
PT124B-289A	Clamp mounting type	PT124B-289B	Thread mounting type	PT124B-289C	Flange mounting type
Code	Range				
X~Y	-1~0~700 bar				
Code	Process connection				
G7	1.5" clamp	G1	M20 x 1.5 male	G8	DN50
G14	2" clamp	G2	G1/2" male	G9	DN80
G0	Other on request	G0	Other on request	G0	Other on request
Code	Server type				
V1	ZHYQ server	V3	Third server		
V2	Custom server				
Code	Protocol type				
A1	ZHYQ protocol	A3	Third protocol		
A2	Custom protocol				
Code	Wetted parts material				
C1	SS304	C0	Other on request		
C2	SS316L				
Code	Output signal				
S10	GPRS	S13	ZigBee		
S11	LoRa	S14	WiFi		
S12	NB-IoT				
Code	SIM card type (only for GPRS & NB-IoT)				
K1	ZHYQ card	K2	Custom card		
Code	DTU / gateway (only for LoRa, ZigBee & WiFi)				
W1	ZHYQ DTU / gateway	W2	Custom DTU / gateway		
Code	Accuracy				
J3	± 0.25 % FS	J4	± 0.5 % FS		
Code	Electrical connection				
D5	Terminal	D0	Other on request		
Code	Explosion proof grade				
T4	Exib II CT4 Gb	T6	Exib II CT6 Gb		
Code	Power supply				
P2	24V DC				
P4	3.6V Li battery				
P5	12V DC				
Example	PT124B-289B-(0~5bar)G1V2A2C1S11W2J3D5T6P4				

## PT3501 Differential Pressure Transmitter



### Features

- Widely pressure range : -0.1~0~2000 kPa
- Excellent static pressure performance (up to 32MPa)
- High accuracy , high steadily & Polarity protection
- Zero & Range can be set on-site, the range ratio is 50:1
- Can increase the zero & span adjustment as required
- LED indicator can be rotated 360°

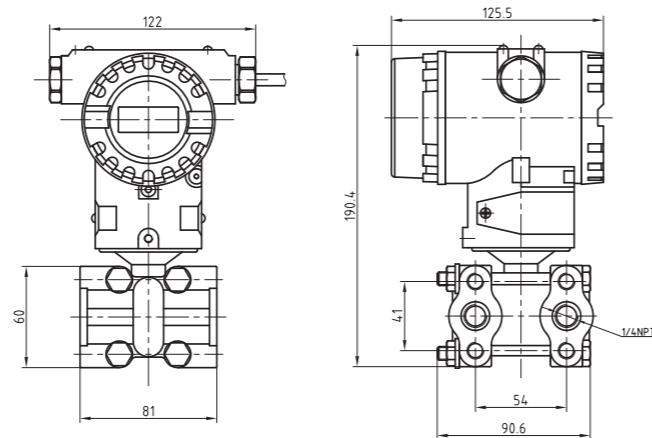
### Applications

- Hydraulic and pneumatic control systems
- Level measure and control
- Petrochemical, environmental protection , pharmaceutical
- Thermal power unit, light industry, machinery, metallurgy
- Industrial process detection and control

### Specifications

Sensor chip	Monocrystalline silicon
Pressure range	-0.1 ~ 0 ~ 2000kPa
Output signal	4-20mA,RS485 ,HART optional
Accuracy	0.075%FS , 0.1%FS, 0.25%FS , 0.5%FS
Overload	150%FS
Operating temperature	-20~150°C (Customized)
Power supply	24(12~36)VDC
Process connection	1/4NPT , 1/2NPT (Customized)
Electric connector	Gland cable, Terminal
Long-term stability	≤ ± 0.1% FS / year
Wetted parts material	SS304 , SS316L (customized)
Response frequency	3.2KHz (-3dB)
Max static pressure	32MPa
Protection grade	IP65, IP67
Explosion proof grade	Exib II CT4 Gb , Exib II CT6 Gb
Certificate	CE, ROHS, ATEX, SIL ,CMC, EX
Temperature compensation	-20 ~ 80 °C

### Dimension



## PT3503 Dual Remote Differential Pressure Transmitter



### Features

- 0~100~500kPa range pressure level measurement
- High accuracy , high steadily & Polarity protection
- Zero & Range can be set on-site, the range ratio is 50:1
- Can increase the zero & span adjustment as required
- LED indicator can be rotated 360°

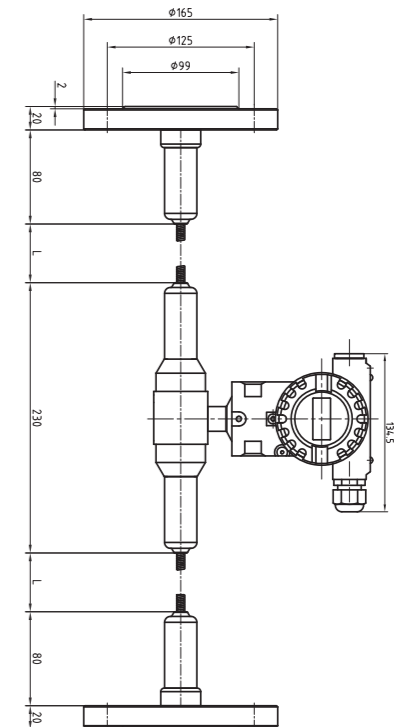
### Applications

- Hydraulic and pneumatic control systems
- Level measure and control
- Petrochemical, environmental protection , pharmaceutical
- Thermal power unit, light industry, machinery, metallurgy
- Industrial process detection and control

### Specifications

Sensor chip	Monocrystalline silicon
Pressure range	0 ~ 100 ~ 500kPa
Output signal	4-20mA,RS485 ,HART optional
Accuracy	0.075%FS , 0.1%FS, 0.25%FS , 0.5%FS
Overload	150%FS
Operating temperature	-20~150°C (Customized)
Power supply	24(12~36)VDC
Process connection	DN50, DN80 Flange, Clamp (customized)
Electric connector	Gland cable, Terminal
Long-term stability	≤ ± 0.1% FS / year
Wetted parts material	SS316L,Ta ,PTFE,Hastalloy C (customized)
Response frequency	3.2KHz (-3dB)
Protection grade	IP65, IP67
Explosion proof grade	Exib II CT4, Exib II CT6
Certificate	CE, ROHS, ATEX, SIL ,CMC, EX
Temperature compensation	-20 ~ 80 °C
Capillary length	0.5 ~ 10m optional
Temperature compensation	-20 ~ 80 °C

### Dimension



## PT3504 Single-flange Differential Pressure Transmitter



### Features

- Widely range 0~100~2000 kPa
- High precision, high stability, polarity protection
- Zero & Range can be set on-site, the range ratio is 50:1
- Can increase the zero & span adjustment as required
- LED indicator can be rotated 360°

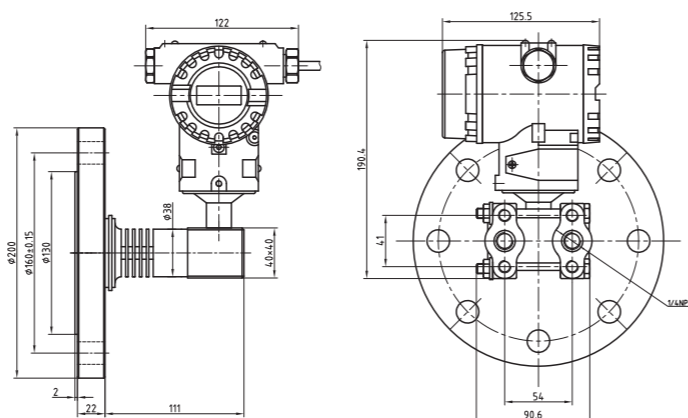
### Applications

- Corrosive, impact, shock and other places pressure display
- Laboratories and industrial sites
- Petrochemical, environmental protection, pharmaceutical
- Thermal power unit, light industry, machinery, metallurgy
- Industrial process detection and control

### Specifications

Sensor chip	Monocrystalline silicon
Pressure range	0 ~ 100 ~ 2000kPa
Output signal	4-20mA,RS485 ,HART optional
Accuracy	0.075%FS, 0.1%FS, 0.25%FS, 0.5%FS
Overload	150%FS
Operating temperature	-20~150°C (Customized)
Power supply	24(12~36)VDC
Process connection	DN50, DN80 Flange (customized)
Electric connector	Gland cable, Terminal
Long-term stability	≤ ± 0.1% FS / year
Wetted parts material	SS316L,Ta ,PTFE,Hastalloy C (customized)
Response frequency	3.2KHz (-3dB)
Protection grade	IP65, IP67
Explosion proof grade	Exib II CT4 Gb, Exib II CT6 Gb
Certificate	CE, ROHS, ATEX, SIL, CMC, EX
Temperature compensation	-20 ~ 80 °C

### Dimension



### Ordering Guide

Model	Transmitter type	
PT3501	Standard type	PT3504 Single flange type
PT3502	Single measurement & single remote type	PT3505 Dual measurement & single remote type
PT3503	Dual measurement & dual remote type	
Code	Range	
X~Y	-0.1...20...2000kPa, 0...20mH <sub>2</sub> O (pls. advise static pressure)	
Code	Process connection	
G7	1.5" clamp	G12 1/4" NPT female
G8	DN50 standard flange	G13 DN25 standard flange
G9	DN80 standard flange	G0 Other on request
G11	1/2" NPT female	
Code	Mount bracket	
A1	Tube flat bracket	A3 Board mounted flat bracket
A2	Tube bending bracket	
Code	Capillary length	
L1	1m	L3 5m
L2	3m	L0 Other on request
Code	Wetted parts material	
C1	SS304	C4 Hastelloy C
C2	SS316L	C5 Tantalum
C3	PTFE	C0 Other on request
Code	Output signal	
S1	4~20 mA (2-wire)	S7 4~20mA routing output
S2	4~20 mA + HART (2-wire)	S0 Other on request
S3	RS485 / Modbus (4-wire)	
Code	Accuracy	
J1	± 0.075 % FS	J3 ± 0.25 % FS
J2	± 0.1 % FS	J4 ± 0.5 % FS
Code	Display	
X1	Without display	X4 Percentage display
X2	LCD display	X0 Other on request
Code	Electrical connection	
D5	Terminal	D0 Other on request
Code	Protection grade	
F1	IP65	F2 IP67
Code	Explosion proof grade	
T4	Exib II CT4 Gb	T6 Exib II CT6 Gb
Example	PT3503-(0~5mH <sub>2</sub> O)G8A2L2C5X2D5F2T4	



## PT124B-20X Series Micro Differential Pressure Transmitter



Compact type



Wind pressure type



Fire protection type



Controller

### Features

- Wide pressure range -0.1~0~2000kPa
- High accuracy , high steadily
- Compact design for small spaces
- Polarity protection, strong anti-interference ability

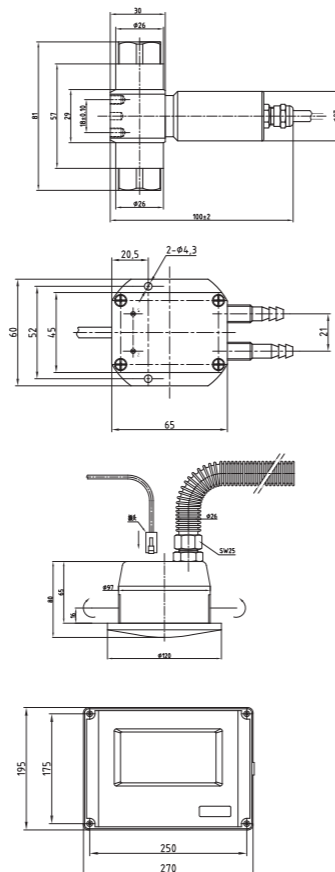
### Applications

- Hydraulic and pneumatic control systems
- Level measure and control
- Petrochemical, environmental protection, pharmaceutical
- Fire Equipment
- Smart factory

### Specifications

Sensor chip	Diffused Silicon , monocrystalline silicon
Pressure range	-0.1~0~2000kPa
Output signal	4-20mA , RS485 , HART optional
Accuracy	0.1%FS, 0.25%FS , 0.5%FS
Overload	150%FS
Operating temperature	-20~80°C (customized)
Power supply	24(12~36)VDC
Process connection	M20x1.5, 1/4NPT (customized)
Electric connector	Gland cable, Terminal
Long-term stability	≤ ± 0.1% FS / year
Response time	< 5 ms
Wetted parts material	SS304 , SS316L (customized)
Protection grade	IP65, IP67
Certificate	CE, ROHS, ATEX, SIL , CMC, EX

### Dimension



## PT6006 Multi-parameter Transmitter



### Features

- Multi-function monitoring of differential pressure, static pressure and temperature
- Direct measurement of liquids, gases and vapors
- Easily install and operate
- Flameproof design, with high safety

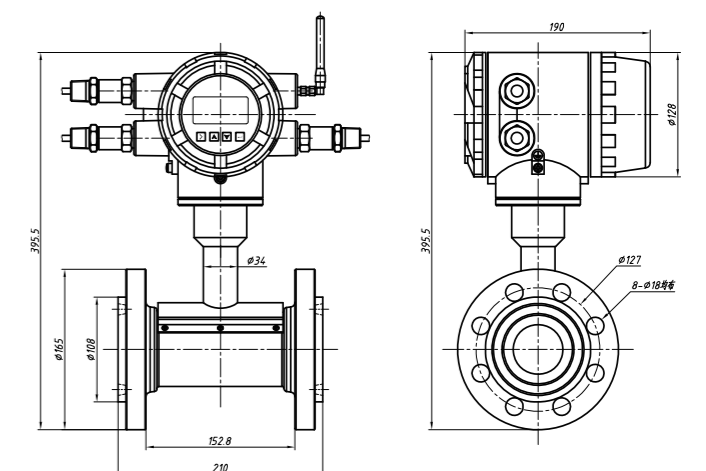
### Applications

- Oilfield single well metering, simultaneous monitoring and measurement

### Specifications

Measuring type	Differential pressure, static pressure, temperature, flow
Measuring range	Differential pressure: 0-150KPa Static pressure: 0-2.5MPa, 6.4MPa, 10MPa Temperature: -55~150°C
Measuring medium	Liquid, gas, vapour
Accuracy	Differential pressure : 0.2%FS, Static pressure: 0.2%FS, Temperature: 0.5%FS
Output	RS485
Process connection	1/4NPT、M20*1.5、intubation(customized)
Operating temperature	-20~150°C
Protocol	Modbus RTU
Wetted parts material	SS304 , SS316L (customized)
Protection grade	IP67
Electrical connection	Gland cable, terminal (customized)
Power supply	9~36VDC
Overload pressure	150%FS
Burst pressure	300%FS
Pressure connection	DN50、DN80 (customized)
Temperature compensation	-20 ~ 80 °C

### Dimension



## PT124B-501 Electromagnetic Flowmeter



### Features

- High accuracy, linearity and stability
- Good reliability and anti-interference performance
- Good pressure tightness and high intelligence
- Good corrosion and wear resistance
- Two-way measurement system that measures forward flow and reverse flow

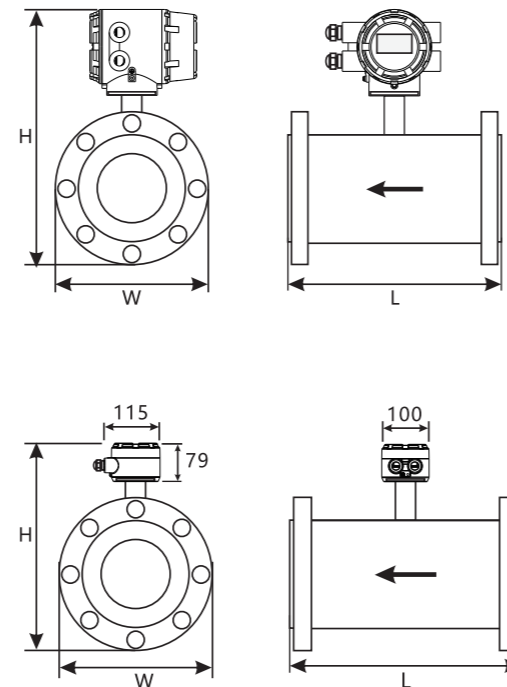
### Applications

- Food and Beverage, Pharmaceutical, Reclaimed Water
- Petrochemical, Refining & Chemical Metering
- Facility or Property Management
- Process or Industrial
- Water & Wastewater Treatment
- Water Distribution

### Specifications

Drift diameter	10~2000mm
Output signal	4-20mA, HART, RS485 optional
Accuracy	0.25%FS, 0.5%FS
Power supply	110/220VAC, 24VDC, 24V DC + battery double
Nominal pressure	4.0MPa, 2.5MPa, 1.6MPa, 1.0MPa, 0.6MPa
Lining material	CR, PTFE, PFA, PU, F46, etc.
Flange material	Carbon steel, SS304, SS316, SS316L optional
Maximum flow rate	15m/s
Electric Connector	Terminal
Fluid conductivity	≥ 5μS/cm
Power consumption	< 20W
Operating temperature	-25°C ~ 60°C
Electrode material	SS316L, Hastelloy C, Ti, Ta, Pt, optional
Number of electrodes	Standard 3 electrodes
Protection grade	IP67
Explosion Proof Grade	Exib II CT4 Gb, Exib II CT6 Gb
Certificate	CE, ROHS

### Dimension



### Ordering Guide

Model	Flowmeter type	
PT124B-501A	Integrated type	PT124B-501B Separated type
Code	Drift diameter	
DN	10 ~ 2000 mm	
Code	Electrode material	
E1	SS316L	E4 Tantalum
E2	Hastelloy C	E5 Platinum
E3	Titanium	E0 Other on request
Code	Lining material	
L1	Chloroprene Rubber (CR)	L4 PU
L2	PTFE	L5 F46
L3	Teflon (PFA)	L0 Other on request
Code	Flange material	
C1	SS304	C11 Carbon steel
C2	SS316L	
Code	Power supply	
P1	110/220V AC	P3 24V DC + battery double
P2	24V DC	
Code	Output signal	
S1	4~20 mA (2-wire)	S14 Frequency / pulse output
S2	4~20 mA + HART (2-wire)	S0 Other on request
S3	RS485 / Modbus (4-wire)	
Code	Accuracy	
J3	± 0.25 % FS	
J4	± 0.5 % FS	
Code	Display	
X6	LCD display instantaneous / cumulative flow	
X0	Other on request	
Code	Electrical connection	
D6	M20 x 1.5 female	
D0	Other on request	
Code	Pressure grade	
Y1	1.6MPa	Y3 4.0MPa
Y2	2.5MPa	Y0 Other on request
Code	Explosion proof grade	
T4	Exib II CT4 Gb	
T6	Exib II CT6 Gb	
Example	PT124B-501A-50E1L1C1P2S1J4X6D6Y1	

## PT124B-22X Series Hydrostatic Level Transmitters



Standard type



Anti-corrosion type



Insert type



Local display type

### Features

- Wide range 0~1~50mH<sub>2</sub>O
- Various output optional
- High precision and high stability
- Simple shape design, cost-effective
- Can increase the zero & span adjustment as required

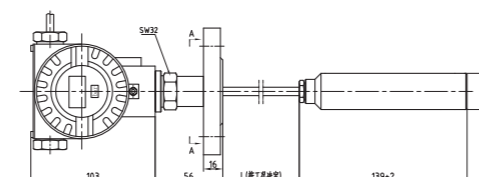
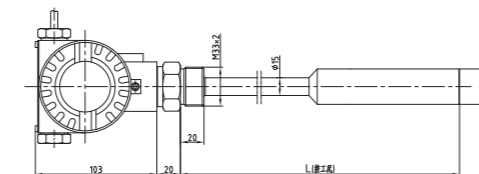
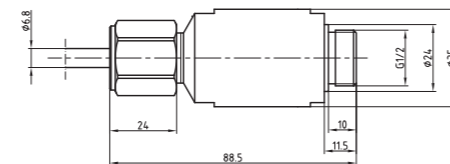
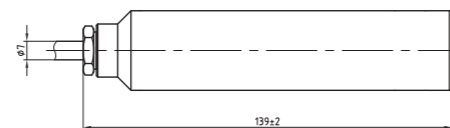
### Specifications

Sensor chip	Diffused Silicon , monocrystalline silicon
Range	0 ~ 1 ~ 50mH <sub>2</sub> O
Output signal	4-20mA, 0-5V, 0-10V, RS485 ,HART optional
Accuracy	0.1%FS, 0.25%FS , 0.5%FS
Overload	150%FS
Operating temperature	-10~80°C (Customized)
Power supply	24(12~36)VDC
Process connection	Submersible, screw thread, flange optional
Electric connector	Gland cable, Terminal
Long-term stability	≤ ±0.1% FS / year
Wetted parts material	SS304 , SS316L, PTFE (customized)
Response frequency	3.2KHz (-3dB)
Protection grade	IP68
Explosion proof grade	Exib II CT4 Gb , Exib II CT6 Gb
Certificate	CE, ROHS, ATEX, SIL ,CMC, EX
Temperature compensation	-20 ~ 80 °C

### Applications

- Wells, pools, sinks, urban water supply and sewage treatment
- Industrial site level measurement and control
- Reservoir, river, ocean monitoring
- Dam, water conservancy and hydropower, hydrological
- Liquid irrigation, sewage pool, oil pool
- Food, beverage, pharmaceutical, chemical
- Navigation and ship system

### Dimension



### Ordering Guide

Model	Transmitter type	
PT124B-220	Standard type	PT124B-223 Low power consumption type
PT124B-221	Local display type	PT124B-224 Anti-corrosion type
PT124B-222	Insert type	PT124B-225 Capacitive type
Code	Range	
X~Y	0...1...50mH <sub>2</sub> O	
Code	Process connection	
G1	M20 x 1.5 male	
G8	DN50 standard flange	
G10	Submersible type	
G0	Other on request	
Code	Wetted parts material	
C1	SS304	
C2	SS316L	
C3	PTFE	
C0	Other on request	
Code	Output signal	
S1	4~20 mA (2-wire)	S4 0.5~4.5 V DC (3-wire)
S2	4~20 mA + HART (2-wire)	S5 0~10 V DC (3-wire)
S3	RS485 / Modbus (4-wire)	S0 Other on request
Code	Accuracy	
J2	± 0.1 % FS	
J3	± 0.25 % FS	
J4	± 0.5 % FS	
Code	Display	
X1	Without display	X4 Percentage display
X2	LCD display	X0 Other on request
X3	LED display	
Code	Electrical connection	
D2	Gland cable	
D5	Terminal	
D0	Other on request	
Code	Explosion proof grade	
T4	Exib II CT4 Gb	T6 Exib II CT6 Gb
Example	PT124B-220-(0~5mH <sub>2</sub> O)G10C2S1J4X1D2T4	

## PT124B-229 Wireless Level Transmitter



### Features

- Low power design, battery powered, long battery life
- Battery power or 24VDC power supply Optional
- Various wireless transmission type optional
- Various pressure unit switching
- Mating with gateway ,efficient pressure monitoring in the LAN

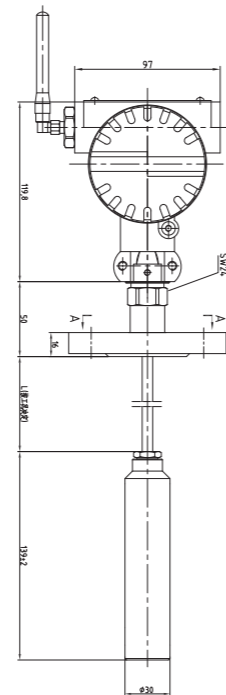
### Applications

- Mine well, pipe-network water supply
- Extinguishing pipe network
- Petroleum, coal and automatic control
- Water works, hydro plant
- High pool level and hydrology monitoring

### Specifications

Measuring range	0 ~ 1 ~ 50mH <sub>2</sub> O
Output signal	GPRS, LoRa, NB-IoT, ZigBee, WiFi
Accuracy	0.25%FS, 0.5%FS
Overload	150%FS
Operating temperature	-20~80°C
Power supply	3.6V Li battery or 24V or 12V DC optional
Process connection	Submersible type
Electrical protection	Anti-electromagnetic interference
Display and backlight	LCD display and white backlight
Sampling rate	1~600s/time Settable
Data configuration	Button setting or remote setting
Upload rate	1-1440 minute settable
Explosion proof grade	Exib II CT4 Gb, Exib II CT6 Gb
Response frequency	3.2KHz (-3dB)
Long-term stability	≤ ± 0.2% FS / year
Certificate	CE, ROHS, ATEX, SIL, CMC, EX

### Dimension



### Ordering Guide

Model	Transmitter type		
PT124B-229	Wireless level transmitter		
Code	Range		
X~Y	0 ~ 1 ~ 50mH <sub>2</sub> O		
Code	Process connection		
G1	M20 x 1.5 male		
G8	DN50 standard flange		
G10	Submersible type		
G0	Other on request		
Code	Server type		
V1	ZHYQ server	V3	Third server
V2	Custom server		
Code	Protocol type		
A1	ZHYQ protocol	A3	Third protocol
A2	Custom protocol		
Code	Wetted parts material		
C1	SS304	C3	PTFE
C2	SS316L	C0	Other on request
Code	Output signal		
S10	GPRS	S13	ZigBee
S11	LoRa	S14	WiFi
S12	NB-IoT		
Code	SIM card type (only for GPRS & NB-IoT)		
K1	ZHYQ card	K2	Custom card
Code	DTU / gateway (only for LoRa, ZigBee & WiFi)		
W1	ZHYQ DTU / gateway	W2	Custom DTU / gateway
Code	Accuracy		
J3	± 0.25 % FS	J4	± 0.5 % FS
Code	Electrical connection		
D5	Terminal	D0	Other on request
Code	Explosion proof grade		
T4	Exib II CT4 Gb	T6	Exib II CT6 Gb
Code	Power supply		
P2	24V DC		
P4	3.6V Li battery		
P5	12V DC		
Example	PT124B-229-(0~5mH <sub>2</sub> O)G10V1A1C2S12K1J4D5T4P4		

## WR Series Temperature Transmitters



Armor type



Compact type



LCD Explosion proof type



Explosion proof type

### Features

- Wide range -200°C ~ 1600°C
- Easy assembly and replacement
- Good seismic performance, high measurement accuracy
- Fast thermal response time
- High mechanical strength, pressure resistance, wear resistance

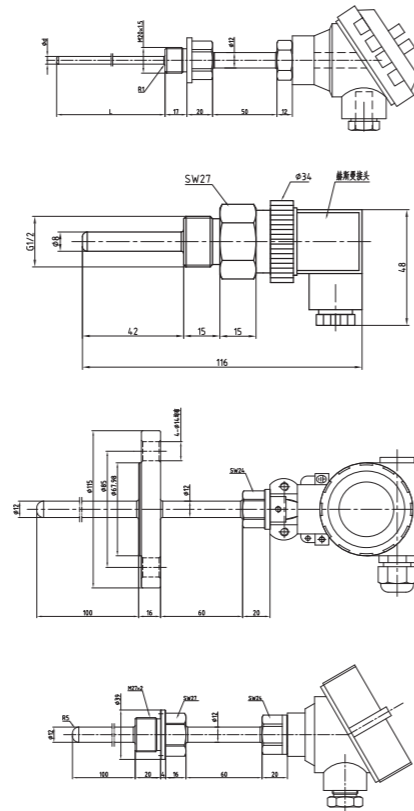
### Applications

- Petrochemical
- Electric power
- Water plant
- Food and drink
- Pharmaceutical
- Boiler

### Specifications

Sensor type	Thermal resistance, thermocouple
Measuring components	PT100, CU50, C, S, B, E, K, R, J, T
Range	-200°C ~ 1600°C
Output signal	4-20mA, RS485, HART, PT100 optional
Accuracy	0.25%FS, 0.5%FS, Grade A, Grade B
Power supply	24(12~36)VDC
Process connection	M20x1.5, G1/4, Flange optional
Probe length	25~2000mm optional
Probe diameter	6mm, 8mm, 12mm, 16mm optional
Electric connector	Hirschman (DIN), Gland cable, Terminal
Long-term stability	≤ ±0.1% FS / year
Probe Material	SS304, SS316L, PTFE (customized)
Response frequency	3.2KHz (-3dB)
Explosion proof grade	Exib II CT4 Gb, Exib II CT6 Gb
Certificate	CE, ROHS, ATEX, SIL, CMC, EX
Protection grade	IP65, IP67

### Dimension



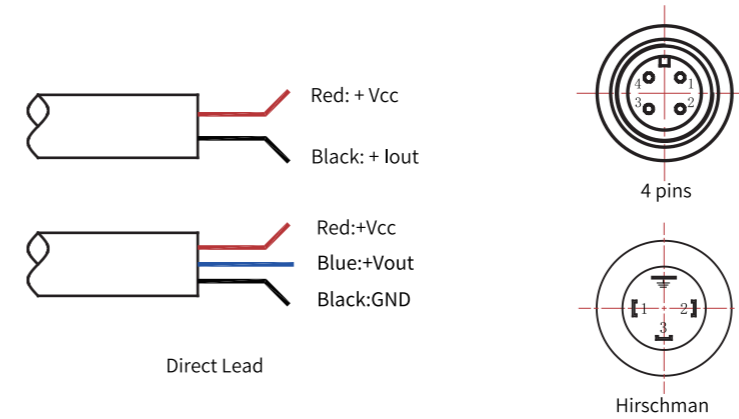
### Ordering Guide

Model	Transmitter type	
WR-202	Armor type	WR-205 Explosion proof type with LCD display
WR-203	Compact type	WR-207 Explosion proof & intelligent type
Code	Measuring components	
P	Pt100 (-200°C~500°C)	C Copper thermal resistor (-50~50°C)
S	Platinum rhodium thermocouple (0~1100°C)	B Platinum rhodium thermocouple (0~1600°C)
K	Nickel thermocouple (0~800°C)	R Platinum rhodium thermocouple (0~1200°C)
J	Iron constantan thermocouple (0~500°C)	
Code	Range	
X~Y	-200°C ~ 1600°C	
Code	Process connection	
G1	M20 x 1.5 male	G6 G3/8" male
G3	G1/4" male	G8 DN50 standard flange
G4	1/2" NPT male	G0 Other on request
Code	Wetted parts material	
C1	SS304	C6 Corundum
C2	SS316L	C7 TA(1-3)
C3	PTFE	C0 Other on request
Code	Probe length	
L	25mm~2000mm	L0 Other on request
Code	Probe diameter	
B1	6mm	B4 16mm
B2	8mm	B0 Other on request
B3	12mm	
Code	Output signal	
S1	4~20 mA (2-wire)	S8 PT100
S2	4~20 mA + HART (2-wire)	S9 Double branch type
S3	RS485 / Modbus (4-wire)	S0 Other on request
Code	Accuracy	
J3	± 0.25 % FS	J6 Grade A
J4	± 0.5 % FS	J7 Grade B
Code	Display	
X1	Without display	X3 LED display
X2	LCD display	
Code	Electrical connection	
D1	Hirschman connector	D5 Terminal
Code	Protection grade	
F1	IP65	F2 IP67
Code	Explosion proof grade	
T4	Exib II CT4 Gb	T6 Exib II CT6 Gb
Example	WR203-P-(0~200°C)G1C2L200B2S1J4X1D5F2T6	

## GND-15 On-line Refractometer

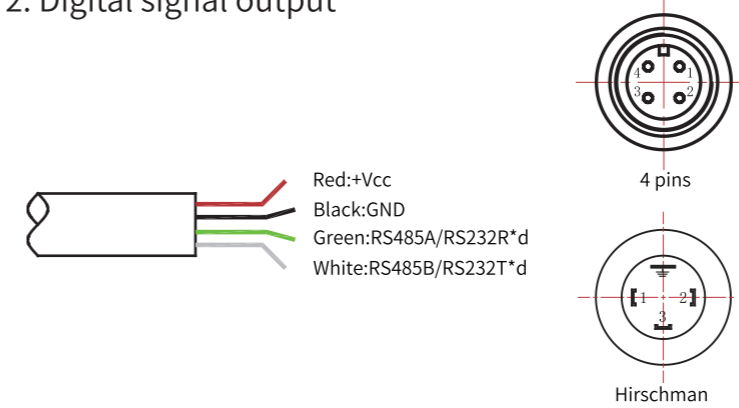
## Electrical Connection & Wiring

### 1. Analog signal output



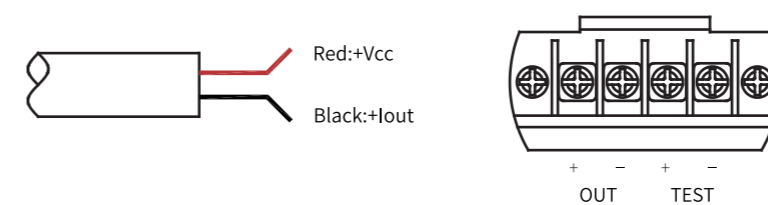
Type	Function	Color	Pin
4 pins 0-5V; 0-10V	+Vcc	Red	1
	+Vout	Blue	3
	GND	Black	4
4 pins 4-20mA	+Vcc	Red	1
	+Iout	Black	3
Hirschman 0-5V; 0-10V	+Vcc	Red	1
	+Vout	Blue	2
	GND	White	3
Hirschman 4-20mA	+Vcc	Red	1
	+Iout	Black	2

### 2. Digital signal output



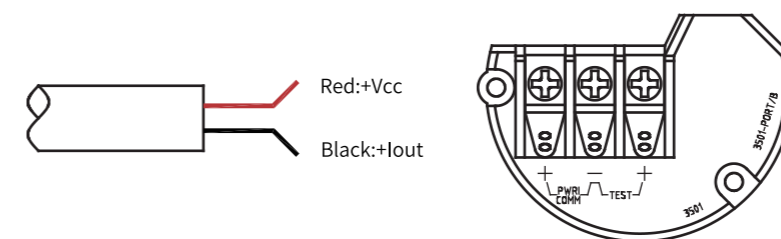
Type	Function	Color	Pin
Hirschman 4 pins MODBUS (RS485/RS232)	+Vcc	Red	1
	RS485A/RS232R*d	Green	2
	GND	Black	3
	RS485B/RS232T*d	White	4 (≡)

### 3. Explosion-proof pressure transmitter wiring



Type	Function	Color	Terminal
4-20mA	+Vcc	Red	OUT+
	+Iout	Black	OUT-

### 4. Differential pressure transmitter wiring



Type	Function	Color	Terminal
4-20mA	+Vcc	Red	OUT+
	+Iout	Black	OUT-

### Features

- Lightweight, compact and easy to install on site.
- LED display, 4-20mA output, easy to connect with other devices for automatic control.
- Easy to operate, only one transmission line solves power and data transmission.
- It has the function of automatic temperature compensation according to the temperature of the tested medium. When the tested medium temperature changes, the Brix value (soluble solids) after temperature compensation is displayed, and the output changes accordingly.

### Applications

- Suitable online real-time monitoring and control of liquid substance concentration in various industries
- Cutting oil, mold release agent, quenching liquid, cleaning liquid, emulsion in the machining industry
- Food, chemical, paper, tobacco, environmental protection

### Specifications

Measurement scale	Brix (%), Automatic Temperature Compensation
Measurement range	Brix 0~90%
Minimum indication	Brix 0.1%
Measurement accuracy	Brix $\pm 0.5\%$ , Temperature $\pm 0.2\%$
Measurement temperature	-20~70°C Auto temperature compensation
Operating temperature	-20~60°C
Power supply	24VDC
Output	4-20mA
Protection grade	IP65
Wetted parts material	Prism: sapphire, Prism stage: SS304
Temperature sensor	Thin film platinum sensor
Resistible pressure on the prism unit	0.98MPa (10kgf/cm <sup>2</sup> )
Environmental conditions	Ambient temperature: -20~60°C Relative humidity: 30~90%

### Dimension

